

Application area

KNXnet / IP Interface allows telegrams to be transmitted Quickly between different lines over LAN (IP) spine.

In addition, these devices are suitable for connection from a PC to the KNX network and from the Cloud to the KNX network from PC, eg. For ETS programming. IP address, static default IP or manual configuration (Spadmin), respectively.

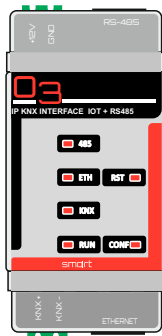


Figure 1 : Photo of device

This device works according to KNXnet / Ipspecification, device management, tunneling and section routing using the kernel. Allows connection with local network and Cloud. Connects to home control panel or MODBUS devices with Rs485 connection

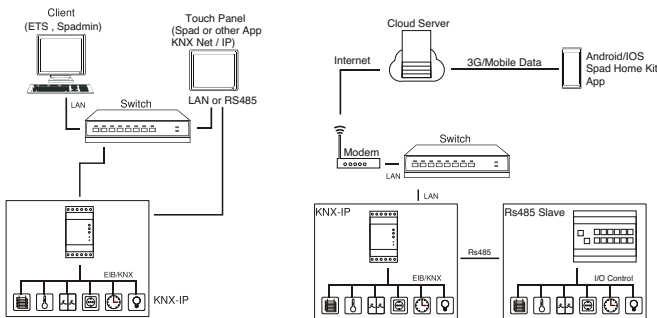


Figure 2 : Typical application 1 (Local Network ETS and Touch Panel)

Figure 2 : Typical application 2 (Cloud connection, Spad HomeKit Apps)

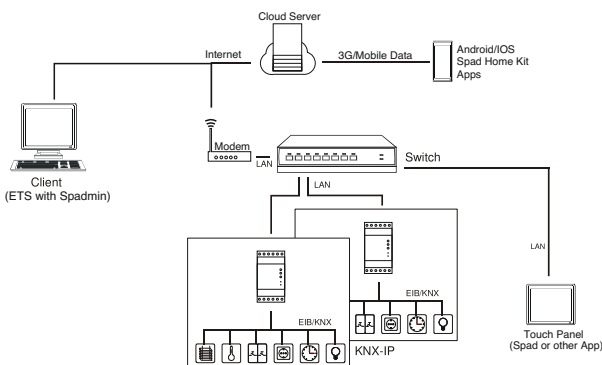


Figure 2 : Typical application 3 (Cloud connection, ETS with Spadmin support)

Technical data

Electrical safety

- Protection (according to EN 60529): IP 20
- Safety extra low voltage SELV DC 29 V

According to CE mark

- Low voltage directive 2014/35 / EU
- EMC directive 2014/30 / EU
- RoHS directive 2011/65 / EU (RoHS2)
- EN 50491-3: 2009, EN 50491-5-1: 2010
- EN 50491-5-2: 2010, EN 50491-5-3: 2010
- EN 61000-6-2: 2005
- EN 61000-6-3: 2007 + A1: 2011
- EN 50581: 2012 (RoHS2)

* CE declaration can be requested from info@smartcozum.com.

Environmental Requirements

- Ambient temperature. operating: - 5 ... + 45 ° C
- Ambient temperature. non op: - 25 ... + 70 ° C
- Rel. humidity (non-condensing): 5%... 93%

Mechanical Data

- Housing: Plastic
- DIN rail mounted device, width: 3 units
- Dimensions : 52,5 x 90 x 59 mm
- Approximate weight. 150 grams

Operational controls

- Learning button for configuration
- Reset Button

Indicators

- Running LED (Red)
- Signal LED (Red) for KNX
- Signal LED (Red) for LAN
- Signal LED (Red) for RS485

Ethernet

- 100BaseT (100Mbit / s)
- Supported internet protocols ARP, ICMP, IGMP, UDP / IP, TCP / IP, DHCP, HTTP, HTTPS, DNS, MDNS, MODBUS, Up to 4 KNXnet / IP Tunneling simultaneously.

Power

- External supply 9-36 V DC
- Power consumption: <800 mW

Connectors

- Screw connector for KNX
- LAN RJ-45 socket
- Screw connector for power supply
- RS485 RJ-45 socket

