

Application area

IP Interface allows telegrams to be transmitted Quickly between different lines over LAN (IP) spine.

IP address, static default IP or manual configuration (Spadmin), respectively. Allows I/O controls to be made over IP and RS485

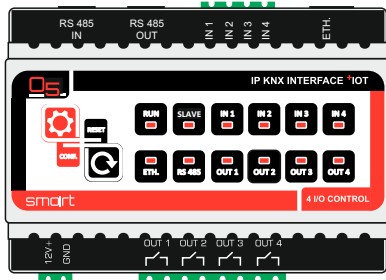


Figure 1 : Photo of device

This device works according to the TCP/Ip specification, Allows connection with local network and Cloud. It can be connected to the Home control panel via Dual RS485 or MODBUS devices with Rs485 connection Can be connected to the home control panel by IP

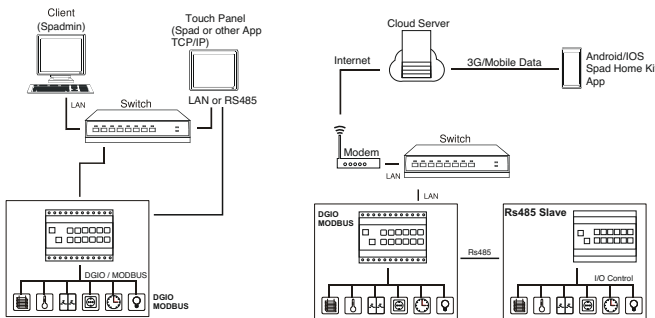


Figure 2 : Typical application 1 (Local Network Spadmin and Touch Panel)

Figure 2 : Typical application 2 (Cloud connection, Spad HomeKit Apps)

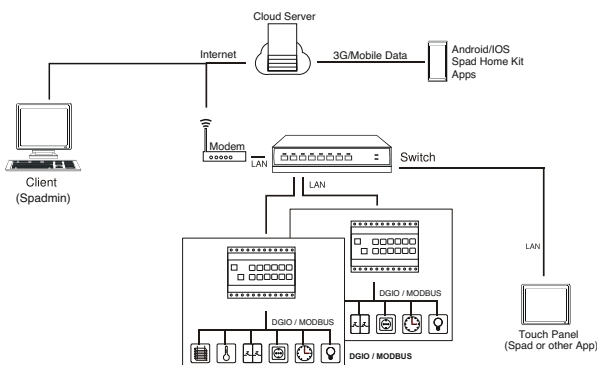


Figure 2 : Typical application 3 (Cloud connection, Spadmin and Spad Homekit support)

Technical data

Electrical safety

- Protection (according to EN 60529): IP 20
- Safety extra low voltage SELV DC 29 V

According to CE mark

- Low voltage directive 2014/35 / EU
- EMC directive 2014/30 / EU
- RoHS directive 2011/65 / EU (RoHS2)
- EN 50491-3: 2009, EN 50491-5-1: 2010
- EN 50491-5-2: 2010, EN 50491-5-3: 2010
- EN 61000-6-2: 2005
- EN 61000-6-3: 2007 + A1: 2011
- EN 50581: 2012 (RoHS2)

* CE declaration can be requested from info@smartcozum.com.

Environmental Requirements

- Ambient temperature. operating: - 5 ... + 45 ° C
- Ambient temperature. non op: - 25 ... + 70 ° C
- Rel. humidity (non-condensing): 5%... 93%

Mechanical Data

- Housing: Plastic
- DIN rail mounted device, width: 6 units
- Dimensions : 85x104x57 mm
- Approximate weight. 300 grams

Operational controls

- Learning button for configuration
- Reset Button

Indicators

- Running LED (Red)
- Signal LED (Red) for Slave
- Signal LED (Red) for LAN
- Signal LED (Red) for Rs485
- 4 Inputs LED (Red) for Inputs
- 4 Outputs LED (Red) for Outputs

Ethernet

- 100BaseT (100Mbit / s)
- Supported internet protocols ARP, ICMP, IGMP, UDP / IP, TCP / IP, DHCP, HTTP, HTTPS, DNS, MDNS, MODBUS,

Power

- External supply 9-36 V DC
- Power consumption: <950 mW

Connectors

- LAN RJ-45 socket
- Screw connector for power supply
- 2x RS485 RJ-45 socket

Inputs

- Isolations 4 Inputs
- Input Current 50mA

Outputs

- Relay control 4 Outputs
- 16A Max Current Relay
- Relay Inrush Current 80A