

### Application area

IP Interface allows telegrams to be transmitted Quickly between different lines over LAN (IP) spine.  
 IP address, static default IP or manual configuration (Spadmin), respectively.  
 Allows I/O controls to be made over IP and RS485

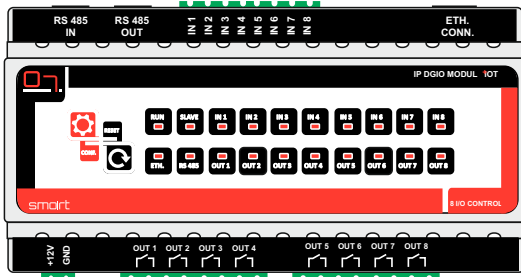


Figure 1 : Photo of device

This device works according to the TCP/Ip specification, Allows connection with local network and Cloud. It can be connected to the Home control panel via Dual RS485 or MODBUS devices with Rs485 connection  
 Can be connected to the home control panel by IP

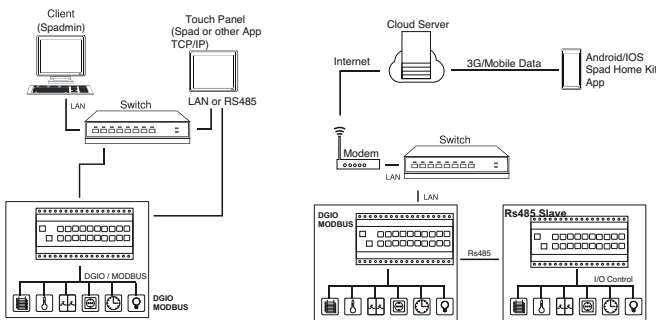


Figure 2 : Typical application 1 (Local Network Spadmin and Touch Panel)

Figure 2 : Typical application 2 (Cloud connection, Spad HomeKit Apps)

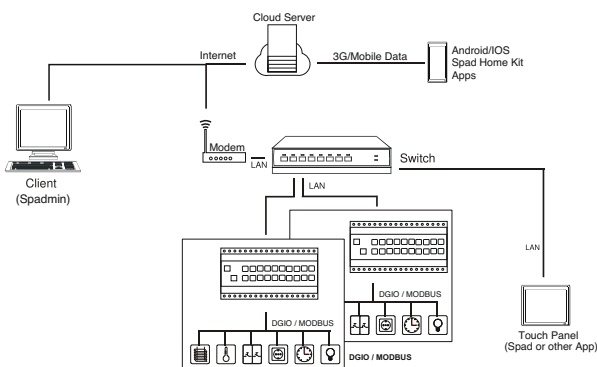


Figure 2 : Typical application 3 (Cloud connection, Spadmin and Spad Homekit support )

### Technical data

#### Electrical safety

- Protection (according to EN 60529): IP 20
- Safety extra low voltage SELV DC 29 V

#### According to CE mark

- Low voltage directive 2014/35 / EU
- EMC directive 2014/30 / EU
- RoHS directive 2011/65 / EU (RoHS2)
- EN 50491-3: 2009, EN 50491-5-1: 2010
- EN 50491-5-2: 2010, EN 50491-5-3: 2010
- EN 61000-6-2: 2005
- EN 61000-6-3: 2007 + A1: 2011
- EN 50581: 2012 (RoHS2)

\* CE declaration can be requested from info@smartcozum.com.

#### Environmental Requirements

- Ambient temperature. operating: - 5 ... + 45 ° C
- Ambient temperature. non op: - 25 ... + 70 ° C
- Rel. humidity (non-condensing): 5%... 93%

#### Mechanical Data

- Housing: Plastic
- DIN rail mounted device, width: 10 units
- Dimensions : 91 x 157,4 x 57,4 mm
- Approximate weight. 400 grams

#### Operational controls

- Learning button for configuration
- Reset Button

#### Indicators

- Running LED (Red)
- Signal LED (Red) for Slave
- Signal LED (Red) for LAN
- Signal LED (Red) for Rs485
- 8 Inputs LED (Red) for Inputs
- 8 Outputs LED (Red) for Outputs

#### Ethernet

- 100BaseT (100Mbit / s)
- Supported internet protocols ARP, ICMP, IGMP, UDP / IP, TCP / IP, DHCP, HTTP, HTTPS, DNS, MDNS, MODBUS,

#### Power

- External supply 9-36 V DC
- Power consumption: <1000 mW

#### Connectors

- LAN RJ-45 socket
- Screw connector for power supply
- 2x RS485 RJ-45 socket

#### Inputs

- Isolations 8 Inputs
- Input Current 50mA

#### Outputs

- Relay control 8 Outputs
- 16A Max Current Relay
- Relay Inrush Current 80A